

Illustration - Type - E

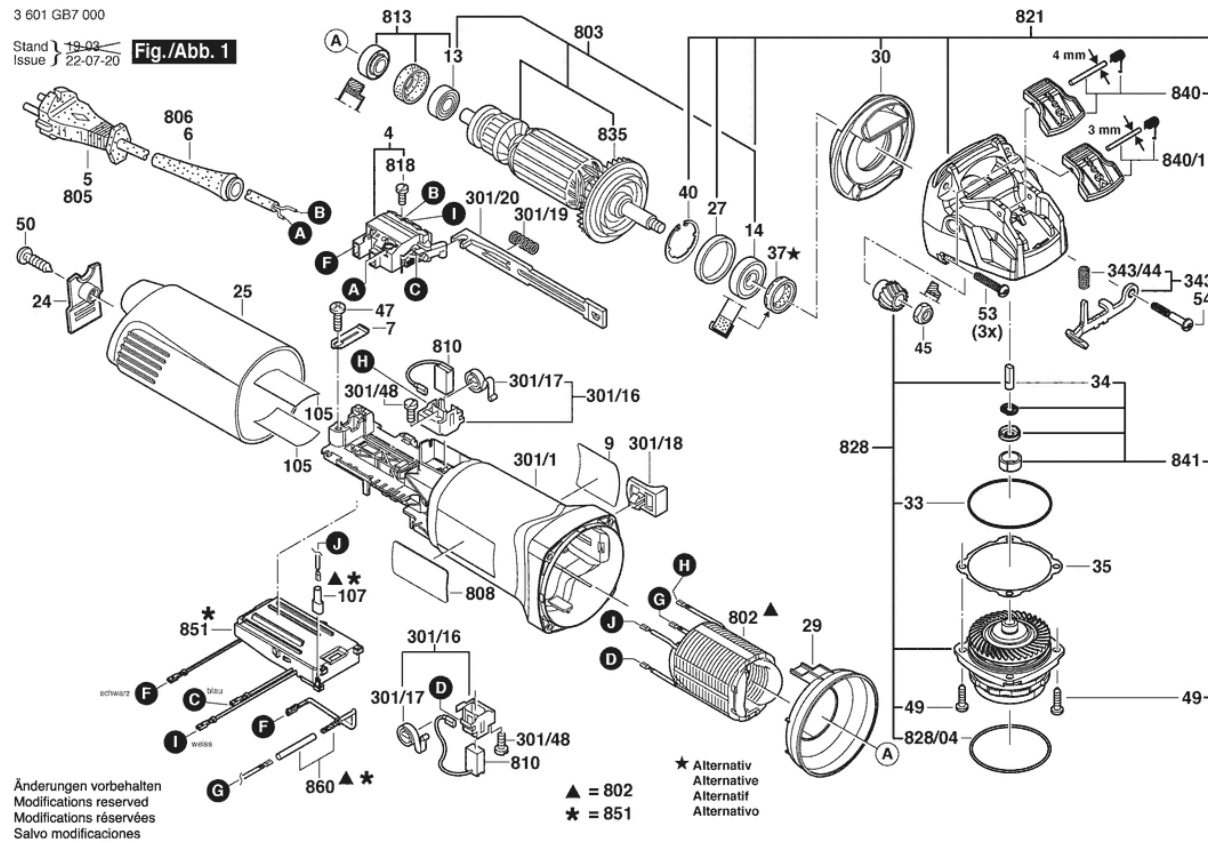
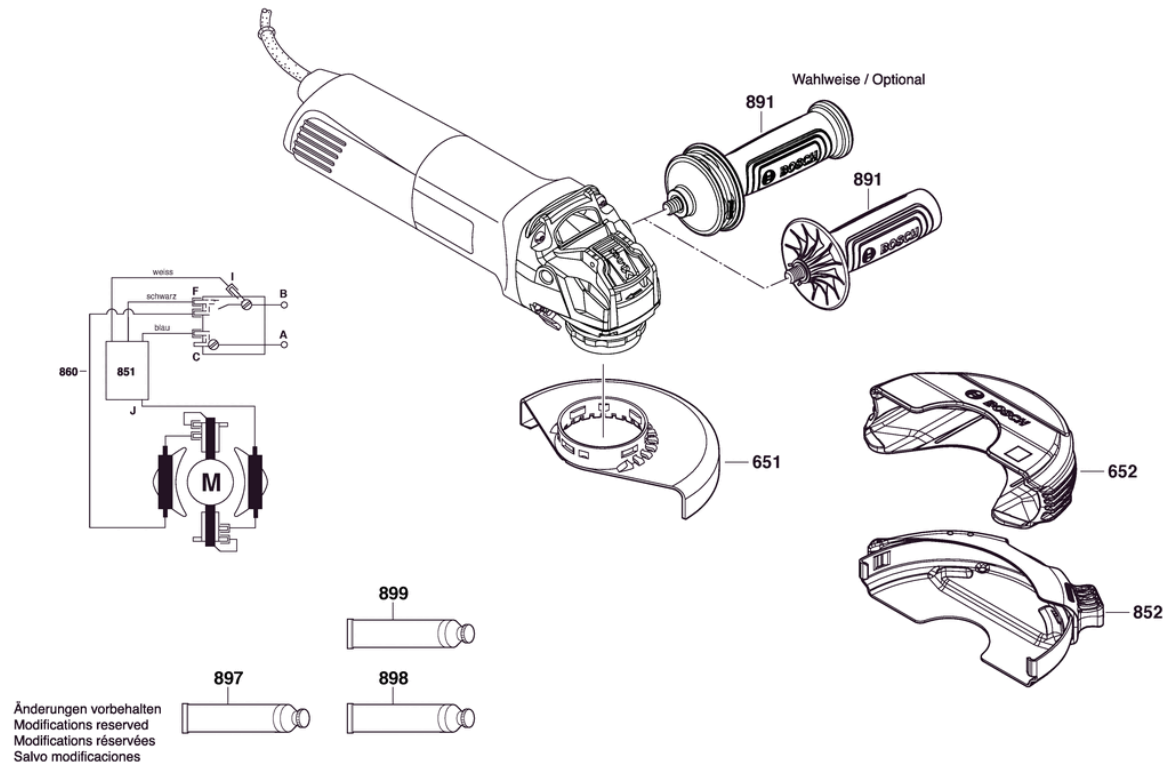


Illustration - Type - E

3 601 GB7 000

Stand } 19-05
Issue } 24-07-11 **Fig./Abb. 2**



Spare parts list

Item	Part Number	Description	Illustration
4	1 607 200 200	Switch	1
6	1 600 703 039	Grommet	1
7	1 601 302 017	Fastening Clamp	1
9	1 601 11C 2V5	Manufacturer's nameplate	1
13	2 600 905 032	Ball Bearing 7X19X6	1
14	1 600 905 032	groove ball bearing 8X22X7	1
24	1 605 500 228	Cover BLUE	1
25	1 605 500 251	Housing Cover DARK BLUE	1
27	1 600 206 025	Rubber Ring	1
29	1 600 591 025	Air-Deflector Ring	1
30	1 600 591 014	Air-Deflector Ring	1
33	1 600 210 035	O-Ring 46,0X1,1 MM	1
34	1 600 A01 2X9	Braking Element	1
35	1 600 136 013	Shim 0,1 MM THICK	1
35	1 600 136 014	Shim 0,2 MM THICK	1
35	1 600 136 015	Shim 0,3 MM THICK	1
35	1 600 136 020	Shim 0,15 MM THICK	1
37	1 600 290 016	Rotary shaft lip seal	1
40	1 600 119 011	Retaining clip	1
45	1 603 300 016	Hex Nut M7, SW10	1
47	2 603 490 021	Torx Oval-Head Screw 4X12	1
49	1 603 435 08X	Thread-forming tap. Screw M4X16-ST W/ PRECOTE 85-3	1
50	2 603 490 023	Torx Oval-Head Screw 4X20	1
53	1 603 435 078	Torx Oval-Head Screw	1
54	1 603 414 026	Torx Oval-Head Screw 4X30	1
105	1 601 008 005	Insulating Plate	1
107	1 600 712 030	Insulating Part	1
301/1	1 605 108 249	Motor Housing DARK BLUE	1
301/16	1 601 323 025	Brush Holder	1
301/17	1 604 652 013	Spiral Spring	1
301/18	1 602 026 088	Switch Handle	1
301/19	1 604 611 026	Compression Spring	1
301/20	1 602 319 011	Adjusting Slide	1
301/48	1 613 435 034	Lens Head Screw 3X10 ST	1

Spare parts list

Item	Part Number	Description	Illustration
343	1 607 000 742	Catch Lever	1
343/44	1 604 611 042	Compression Spring	1
802	1 607 000 397	Field 220-240V	1
803	1 604 010 A90	Armature With Fan 230V	1
805	1 607 000 386	Power supply cord 1,0MM H05 RN-F EU 230V 4,15M 2 X	1
808	1 601 11A 9R8	Nameplate	1
810	1 607 000 482	Carbon-Brush Set X 1 607 014 176 KOHLEBÜRSTENSATZ 10	1
810	1 607 014 176	Carbon-Brush Set	1
813	1 607 000 378	Parts Set	1
818	2 910 110 048	Pan head screw DIN 85-AM3X6-CUZN	1
821	1 607 000 E9X	Gear Housing	1
828	1 607 000 D5G	Parts Set	1
828/04	3 600 210 109	O-Ring 47,0X1,5 MM	1
835	1 606 610 132	Fan	1
840	1 607 000 D5X	Parts Set	1
840/1	1 607 000 EA6	Lever	1
841	1 607 000 D5Z	Parts Set	1
851	1 607 233 291	Speed governor 220-240V	1
860	1 604 448 023	Connecting Cable	1
651	1 600 A02 5XR	Protective Cover	2
652	1 600 A02 1MH	Protective Cover	2
852	1 600 A02 059	Protective Cover	2
891	1 602 025 09T	Auxiliary Handle	2
891	1 602 025 0A0	Auxiliary Handle	2
897	1 605 430 003	Grease Tube 225 ML	2
898	1 615 430 020	Grease Tube 225 ML	2
899	3 605 430 008	Oil 1000 ML	2